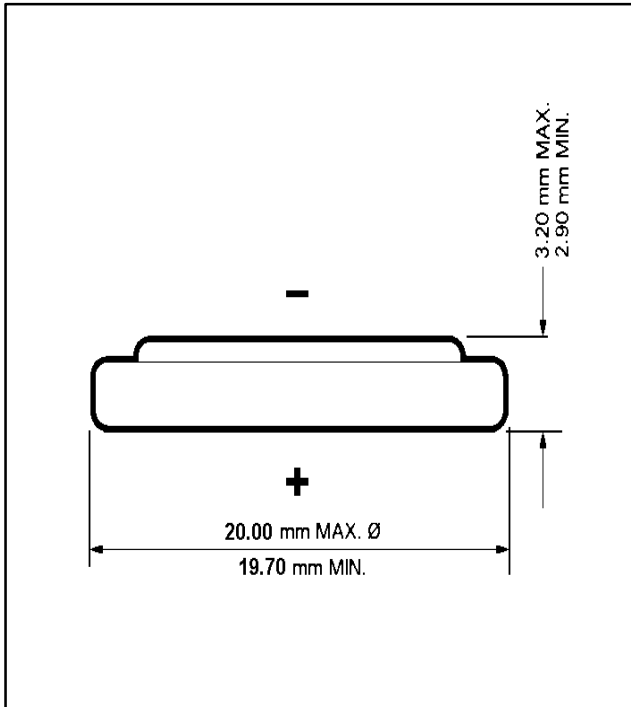


Lithium Manganese Dioxide Battery

CR2032



SPECIFICATIONS

Minimum No Load Voltage:	3.1 V
Minimum On Load Voltage:	2.1V on 150Ohms at 1000

Minimum Life	430 H 6.81k Ohms Hr/Day 2 V
--------------	-----------------------------

Rated Capacity	180 mAh on 6.81kOhms to 2V
----------------	----------------------------

Volume	.98 cm ³
--------	---------------------

Weight	2.8g
--------	------

Physical Size in mm	Max	Min
Height/Length	3.2	2.9
Width/Diameter	20	19.7
Depth		

Typical Discharge Characteristics

